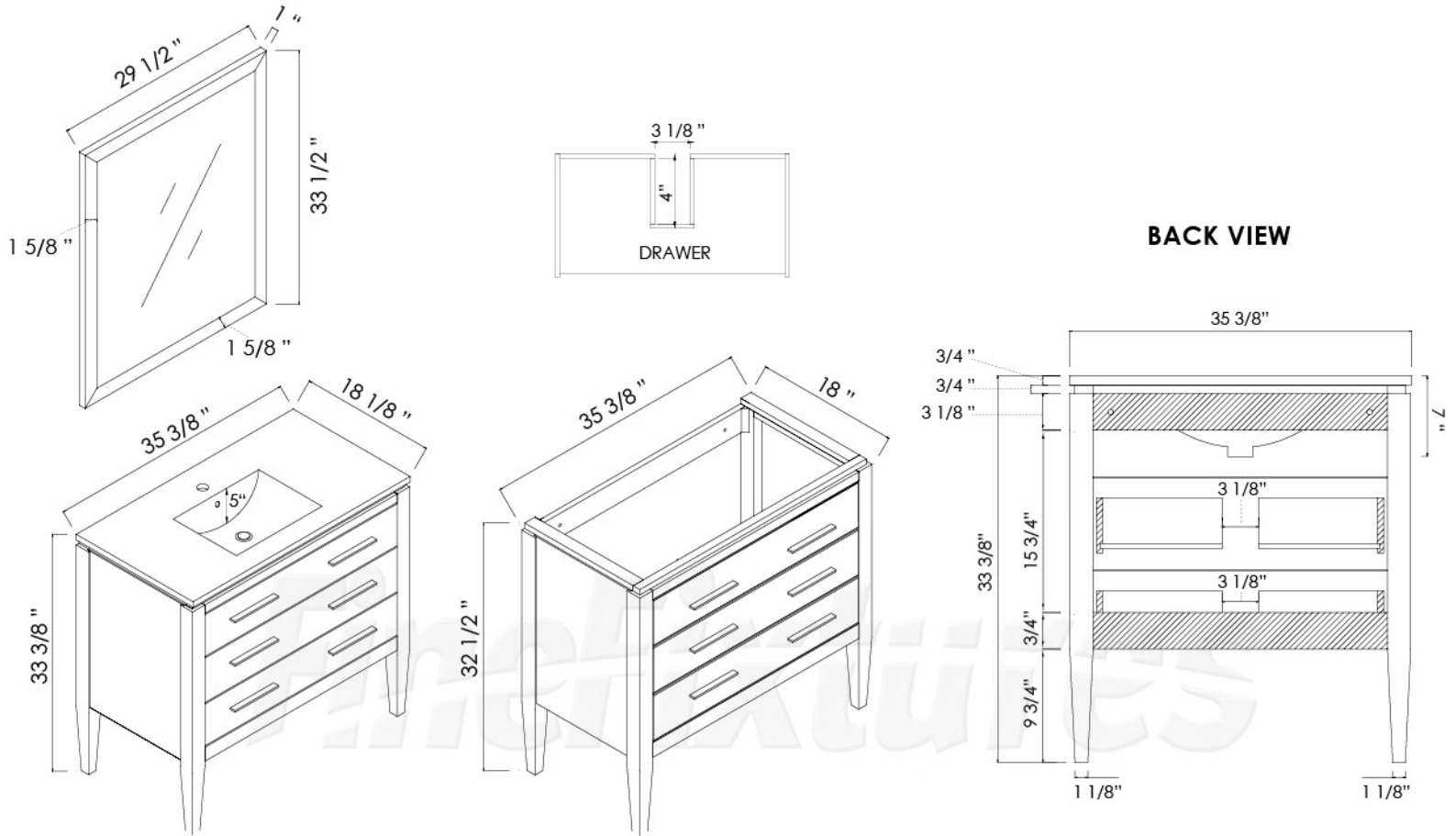


ITEM	MODEL NO.	COLOR	DIMENSIONS Width x Depth x Height
VANITY	IR24WH IR24ZE	WHITE MATTE RED ZEBRA	23 1/2" X 18" X 32 1/2"
SINK SINK (THICK TOP)	VE2418W VE2418W-T	WHITE WHITE	23 5/8" X 18 1/8" X 7" 23 5/8" X 18 1/8" X 7"
MIRROR	MR22WH IRM22ZE	WHITE MATTE RED ZEBRA	21 5/8" X 1" X 33 1/2"
MEDICINE CABINET (SEE PG. 16)	MAMC20WH	WHITE MATTE	19 5/8" X 4 7/8" X 33 1/2"

ITEM	MODEL NO.	COLOR	DIMENSIONS Width x Depth x Height
VANITY	IR30WH IR30ZE	WHITE MATTE RED ZEBRA	29 1/2" X 18" X 32 1/2"
SINK SINK (THICK TOP)	VE3018W VE3018W-T	WHITE WHITE	29 1/2" X 18 1/8" X 7" 29 1/2" X 18 1/8" X 7"
MIRROR	MR30WH IRM30ZE	WHITE MATTE RED ZEBRA	29 1/2" X 1" X 33 1/2"
MEDICINE CABINET (SEE PG. 17)	MAMC28WH	WHITE MATTE	27 1/2" X 4 7/8" X 33 1/2"

IRONWOOD 36" Specifications



ITEM	MODEL NO.	COLOR	DIMENSIONS Width x Depth x Height
VANITY	IR36WH IR36ZE	WHITE MATTE RED ZEBRA	35 3/8" X 18" X 32 1/2"
SINK SINK (THICK TOP)	VE3618W VE3618W-T	WHITE WHITE	35 3/8" X 18 1/8" X 7" 35 3/8" X 18 1/8" X 7"
MIRROR	MR30WH IRM30ZE	WHITE MATTE RED ZEBRA	29 1/2" X 1" X 33 1/2"